

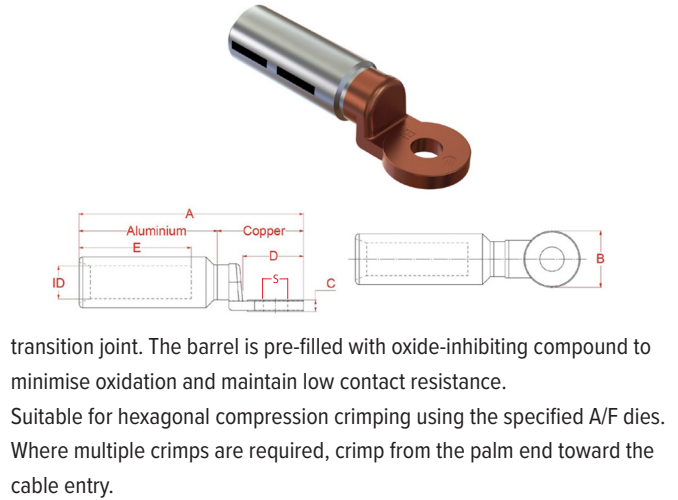
ALUMINIUM CABLE ACCESSORIES

FBL SERIES

Bi-metal lugs for Firstflex FLA Series Aluminium cables

The range of bi-metallic compression lugs are designed specifically for terminating fine stranded Firstflex FLA series flexible aluminium cables. The aluminium barrel is sized to suit the larger overall diameters of flexible conductors, ensuring full strand containment and reliable crimp performance.

The lug comprises a high-conductivity aluminium barrel friction welded to an electrolytic copper palm, providing a strong, corrosion-resistant



transition joint. The barrel is pre-filled with oxide-inhibiting compound to minimise oxidation and maintain low contact resistance. Suitable for hexagonal compression crimping using the specified A/F dies. Where multiple crimps are required, crimp from the palm end toward the cable entry.

Conforms to: AS/NZS 4325.1 and IEC 61238-1-1

FF Code	Bi Metal Flexible Aluminium Lugs	NOMINAL CONDUCTOR CSA mm ²	ID (+0.2 -0.1)	A (±2)	B (±1)	C (±0.5)	D (±1.0)	E (±1.5)	S (±0.25)	A/F HEX	CRIMP DIE	NO. OF CRIMPS
FBL70M8	Bi Metal Flexi Ali Crimp Lug, 70mm M8	70	12	75	24	5	26.5	32	8.5	13.2	HT-50/70AL	1
FBL70M10	Bi Metal Flexi Ali Crimp Lug, 70mm M10	70	12	75	24	5	26.5	32	10.5	13.2	HT-50/70AL	1
FBL70M12	Bi Metal Flexi Ali Crimp Lug, 70mm M12	70	12	75	24	5	26.5	32	13	13.2	HT-50/70AL	1
FBL70B	Bi Metal Flexi Ali Crimp Lug, 70mm Blank	70	12	75	24	5	26.5	32	-	13.2	HT-50/70AL	1
FBL95M8	Bi Metal Flexi Ali Crimp Lug, 95mm M8	95	14	115	24	5	26.5	60	8.5	17.3	HT-95/120AL	2
FBL95M10	Bi Metal Flexi Ali Crimp Lug, 95mm M10	95	14	115	24	5	26.5	60	10.5	17.3	HT-95/120AL	2
FBL95M12	Bi Metal Flexi Ali Crimp Lug, 95mm M12	95	14	115	24	5	26.5	60	13	17.3	HT-95/120AL	2
FBL95B	Bi Metal Flexi Ali Crimp Lug, 95mm Blank	95	14	115	24	5	26.5	60	-	17.3	HT-95/120AL	2
FBL120M8	Bi Metal Flexi Ali Crimp Lug, 120mm M8	120	17.5	120	30	6	32.5	60	8.5	22	HT-150/185AL	2
FBL120M10	Bi Metal Flexi Ali Crimp Lug, 120mm M10	120	17.5	120	30	6	32.5	60	10.5	22	HT-150/185AL	2
FBL120M12	Bi Metal Flexi Ali Crimp Lug, 120mm M12	120	17.5	120	30	6	32.5	60	13	22	HT-150/185AL	2
FBL120B	Bi Metal Flexi Ali Crimp Lug, 120mm Blank	120	17.5	120	30	6	32.5	60	-	22	HT-150/185AL	2
FBL150M8	Bi Metal Flexi Ali Crimp Lug, 150mm M8	150	18.7	120	30	6	32.5	60	8.5	22	HT-150/185AL	2
FBL150M10	Bi Metal Flexi Ali Crimp Lug, 150mm M10	150	18.7	120	30	6	32.5	60	10.5	22	HT-150/185AL	2
FBL150M12	Bi Metal Flexi Ali Crimp Lug, 150mm M12	150	18.7	120	30	6	32.5	60	13	22	HT-150/185AL	2
FBL150B	Bi Metal Flexi Ali Crimp Lug, 150mm Blank	150	18.7	120	30	6	32.5	60	-	22	HT-150/185AL	2
FBL185M10	Bi Metal Flexi Ali Crimp Lug, 185mm M10	185	19.5	120	35	7	37	60	10.5	22	HT-150/185AL	2
FBL185M12	Bi Metal Flexi Ali Crimp Lug, 185mm M12	185	19.5	120	35	7	37	60	13	22	HT-150/185AL	2
FBL185B	Bi Metal Flexi Ali Crimp Lug, 185mm Blank	185	19.5	120	35	7	37	60	-	22	HT-150/185AL	2
FBL240M10	Bi Metal Flexi Ali Crimp Lug, 240mm M10	240	24	135	35	7	37	60	10.5	28.4	HT-240/300AL	2
FBL240M12	Bi Metal Flexi Ali Crimp Lug, 240mm M12	240	24	135	35	7	37	60	13	28.4	HT-240/300AL	2
FBL240B	Bi Metal Flexi Ali Crimp Lug, 240mm Blank	240	24	135	35	7	37	60	-	28.4	HT-240/300AL	2
FBL300M10	Bi Metal Flexi Ali Crimp Lug, 300mm M10	300	26.5	135	36	7.5	38	60	10.5	28.4	HT-240/300AL	2
FBL300M12	Bi Metal Flexi Ali Crimp Lug, 300mm M12	300	26.5	135	36	7.5	38	60	13	28.4	HT-240/300AL	2
FBL300M16	Bi Metal Flexi Ali Crimp Lug, 300mm M16	300	26.5	135	36	7.5	38	60	17	28.4	HT-240/300AL	2
FBL300B	Bi Metal Flexi Ali Crimp Lug, 300mm Blank	300	26.5	135	36	7.5	38	60	-	28.4	HT-240/300AL	2
FBL400M10	Bi Metal Flexi Ali Crimp Lug, 400mm M10	400	30.3	150	45	8	47	70	10.5	39	ECW-H3D4/500AL	2
FBL400M12	Bi Metal Flexi Ali Crimp Lug, 400mm M12	400	30.3	150	45	8	47	70	13	39	ECW-H3D4/500AL	2
FBL400M16	Bi Metal Flexi Ali Crimp Lug, 400mm M16	400	30.3	150	45	8	47	70	17	39	ECW-H3D4/500AL	2
FBL400B	Bi Metal Flexi Ali Crimp Lug, 400mm Blank	400	30.3	150	45	8	47	70	-	39	ECW-H3D4/500AL	2
FBL500M10	Bi Metal Flexi Ali Crimp Lug, 500mm M10	500	32.5	150	45	8	47	70	10.5	39	ECW-H3D4/500AL	2
FBL500M12	Bi Metal Flexi Ali Crimp Lug, 500mm M12	500	32.5	150	45	8	47	70	13	39	ECW-H3D4/500AL	2
FBL500M16	Bi Metal Flexi Ali Crimp Lug, 500mm M16	500	32.5	150	45	8	47	70	17	39	ECW-H3D4/500AL	2
FBL500B	Bi Metal Flexi Ali Crimp Lug, 500mm Blank	500	32.5	150	45	8	47	70	-	39	ECW-H3D4/500AL	2
FBL630M12	Bi Metal Flexi Ali Crimp Lug, 630mm M12	630	38	155	50	9	52	70	13	43.2	RHU520-800	2
FBL630M16	Bi Metal Flexi Ali Crimp Lug, 630mm M16	630	38	155	50	9	52	70	17	43.2	RHU520-800	2
FBL630B	Bi Metal Flexi Ali Crimp Lug, 630mm Blank	630	38	155	50	9	52	70	-	43.2	RHU520-800	2

Firstflex reserves the right to change materials and specifications without notice. Drawings, where shown, may not be to scale. Dimensions are metric and size may be approximate. All products should be installed and used in accordance to manufacturer's instruction provided.

