

Campground and Marina Power Supply Units

Campground and Marina power supply pillars are the better way to power up New Zealand's Holiday Parks and Marinas. We have a range of options to the way electricity is provided for Campground, Caravan Park and Marina users.

We can incorporate Kilowatt Hour Meters to measure power usage and charge customers only what they use.



PRODUCT FEATURES:

- ▶ New Zealand design, manufactured from all plastic materials to ensure long life, particularly in our harsh seaside environments
- ▶ Light controls include automatic daylight sensing
- ▶ Your choice of 1, 2, 3 or 4 outlet options
- ▶ Window access to RCD protection
- ▶ Sealed against flying insect intrusion

CONSTRUCTION:

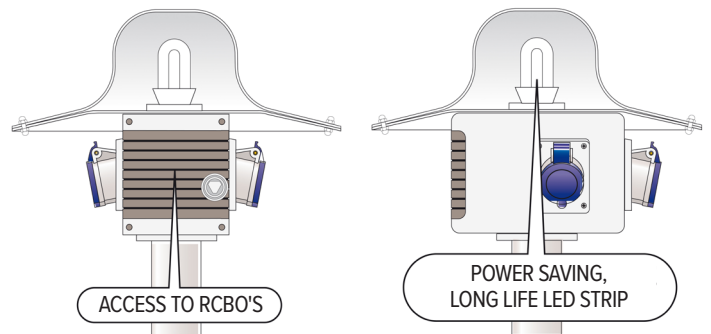
Construction PVC (Exception: Supply Pillar which has Powder Coated Aluminium base & frame with PVC front and back panels)

Outlets Unless otherwise requested, outlets are IEC 60309-2 16 Amp 230V 2 P + E.

IP44 rated – Caravan Supply Box

IP67 rated - Marina Supply Pillar & Supply Box.

RCBOs Each outlet has an RCBO in the circuit.



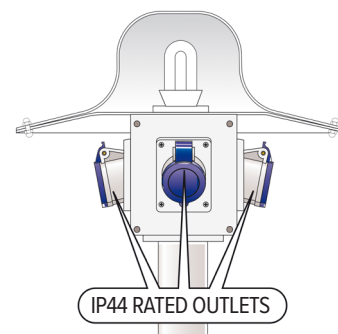
OPTIONAL EXTRAS:

LIGHT An LED light is optional. Which can include a photo cell that will bring on the light automatically at dusk and switch it off again at dawn. The light can also be switched off manually.

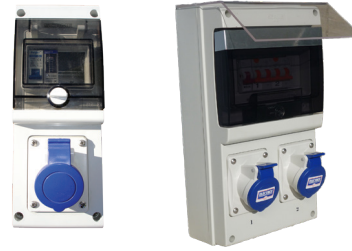
KILOWATT HOUR METER Kilowatt Hour Meters are optional. These can be fitted to the Power Supply Box or Pillar to enable billing of each site for actual power used. Giving the Campground or Marina Site manager the option to charge for power.

ACCESSORIES A comprehensive range of plugs, sockets, mounting boxes and other accessories are also available.

MOUNTING POLE The Caravan Supply Box can be manufactured to mount on our 90mm (outside diameter) PVC pole. The 2M mounting pole is sold separately add product code CARSUPBPOL when ordering.



Campground and Marina Power Supply Units continued...



Caravan Supply Box	
Code	Description
CARSUPBX1	C/Van Box 1Way
CARSUPBX1L	C/Van Box 1Way + Light
CARSUPBX2	C/Van Box 2Way
CARSUPBX2L	C/Van Box 2Way + Light
CARSUPBX3	C/Van Box 3Way
CARSUPBX3L	C/Van Box 3Way + Light
CARSUPBX4	C/Van Box 4Way
CARSUPBX4L	C/Van Box 4Way + Light
CARSUPBXPOL	2M PVC Mounting Pole 90mm diameter

All outlets RCBO protected

The Caravan Supply Box can be manufactured to mount on our 90mm (outside diameter) PVC pole (or a pole of the same diameter that you may wish to supply). Alternatively, it can be mounted on a flat base.

Please specify your requirements when placing an order, advise if it is to be used in a Campground or Marina application.

The 2M mounting pole is sold separately add product code CARSUPBXPOL when ordering – should you wish for your Supply box(s) to be manufactured to mount on a PVC pole.

Caravan Supply Box Wall or Post Mounted	
Code	Description
CARSUPBX1W	C/Van Box 1Way Wall/Post Mount
CARSUPBX2W	C/Van Box 2Way Wall/Post Mount
CARSUPBX3W	C/Van Box 3Way Wall/Post Mount
CARSUPBX4W	C/Van Box 4Way Wall/Post Mount

All outlets RCBO protected



Caravan / Marine Supply Pillar	
Code	Description
PILLAR1	C/Van Pillar 1Way
PILLAR1L	C/Van Pillar 1Way + Light
PILLAR2	C/Van Pillar 2Way
PILLAR2L	C/Van Pillar 2Way + Light
PILLAR3	C/Van Pillar 3Way
PILLAR3L	C/Van Pillar 3Way + Light
PILLAR4	C/Van Pillar 4Way
PILLAR4L	C/Van Pillar 4Way + Light

All outlets RCBO protected



Marina Supply Box Wall or Post Mounted	
Code	Description
MARSUPBX1W	Marina Box 1Way Wall/Post Mount
MARSUPBX2W	Marina Box 2Way Wall/Post Mount
MARSUPBX3W	Marina Box 3Way Wall/Post Mount
MARSUPBX4W	Marina Box 4Way Wall/Post Mount

All outlets RCBO protected

Want to add a Kilowatt Hour Meter?

If you wish to include Kilowatt Hour Meters to your outlets on a Supply Box or Pillar please add 'KWH' to the end of the product code when ordering.



Firstflex has taken every precaution to ensure accurate information in this catalogue, but accept no liability for any errors or omissions. Firstflex reserves the right to modify specifications at any time.