

## Campground and Marina Power Supply Units

Campground and Marina power supply pillars are the better way to power up New Zealand's Holiday Parks and Marinas. We have a range of options to the way electricity is provided for Campground, Caravan Park and Marina users.

We can incorporate Kilowatt Hour Meters to measure power usage and charge customers only what they use.



### PRODUCT FEATURES:

- ▶ New Zealand design, manufactured from all plastic materials to ensure long life, particularly in our harsh seaside environments
- ▶ Light controls include automatic daylight sensing
- ▶ Your choice of 1, 2, 3 or 4 outlet options
- ▶ Window access to RCD protection
- ▶ Sealed against flying insect intrusion

### CONSTRUCTION:

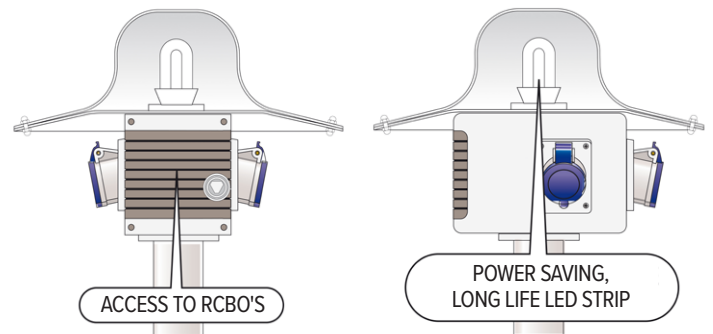
**Construction** PVC (Exception: Supply Pillar which has Powder Coated Aluminium base & frame with PVC front and back panels)

**Outlets** Unless otherwise requested, outlets are IEC 60309-2 16 Amp 230V 2 P + E.

IP44 rated – Caravan Supply Box

IP67 rated - Marina Supply Pillar & Supply Box.

**RCBOs** Each outlet has an RCBO in the circuit.

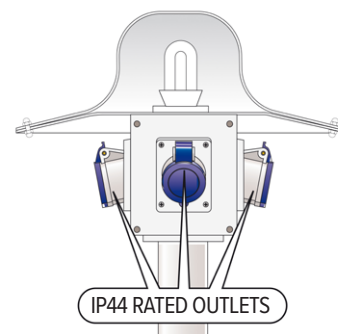


### OPTIONAL EXTRAS:

**LIGHT** An LED light is optional. Which can include a photo cell that will bring on the light automatically at dusk and switch it off again at dawn. The light can also be switched off manually.

**KILOWATT HOUR METER** Kilowatt Hour Meters are optional. These can be fitted to the Power Supply Box or Pillar to enable billing of each site for actual power used. Giving the Campground or Marina Site manager the option to charge for power.

**ACCESSORIES** A comprehensive range of plugs, sockets, mounting boxes and other accessories are also available.



**Campground and Marina Power Supply Units continued...**



Caravan Supply Box	
Code	Description
<b>CARSUPBX1</b>	C/Van Box 1Way + Pole
<b>CARSUPBX1L</b>	C/Van Box 1Way + Light + Pole
<b>CARSUPBX2</b>	C/Van Box 2Way + Pole
<b>CARSUPBX2L</b>	C/Van Box 2Way + Light + Pole
<b>CARSUPBX3</b>	C/Van Box 3Way + Pole
<b>CARSUPBX3L</b>	C/Van Box 3Way + Light + Pole
<b>CARSUPBX4</b>	C/Van Box 4Way + Pole
<b>CARSUPBX4L</b>	C/Van Box 4Way + Light + Pole

*All outlets RCBO protected*

Caravan Supply Box Wall or Post Mounted	
Code	Description
<b>CARSUPBX1W</b>	C/Van Box 1Way Wall/Post Mount
<b>CARSUPBX2W</b>	C/Van Box 2Way Wall/Post Mount
<b>CARSUPBX3W</b>	C/Van Box 3Way Wall/Post Mount
<b>CARSUPBX4W</b>	C/Van Box 4Way Wall/Post Mount

*All outlets RCBO protected*

The Caravan Supply Box can be manufactured to mount on our 90mm (outside diameter) PVC pole (or a pole of the same diameter that you may wish to supply). Alternatively, it can be mounted on a flat base.

Please specify your requirements when placing an order, advise if it is to be used in a Campground or Marina application. A 2 Metre PVC mounting pole comes standard with this unit.



Caravan / Marine Supply Pillar	
Code	Description
<b>PILLAR1</b>	C/Van Pillar 1Way
<b>PILLAR1L</b>	C/Van Pillar 1Way + Light
<b>PILLAR2</b>	C/Van Pillar 2Way
<b>PILLAR2L</b>	C/Van Pillar 2Way + Light
<b>PILLAR3</b>	C/Van Pillar 3Way
<b>PILLAR3L</b>	C/Van Pillar 3Way + Light
<b>PILLAR4</b>	C/Van Pillar 4Way
<b>PILLAR4L</b>	C/Van Pillar 4Way + Light

*All outlets RCBO protected*



Marina Supply Box Wall or Post Mounted	
Code	Description
<b>MARSUPBX1W</b>	Marina Box 1Way Wall/Post Mount
<b>MARSUPBX2W</b>	Marina Box 2Way Wall/Post Mount
<b>MARSUPBX3W</b>	Marina Box 3Way Wall/Post Mount
<b>MARSUPBX4W</b>	Marina Box 4Way Wall/Post Mount

*All outlets RCBO protected*

**Want to add a Kilowatt Hour Meter?**

If you wish to include Kilowatt Hour Meters to your outlets on a Supply Box or Pillar please add 'KWH' to the end of the product code when ordering.



Firstflex has taken every precaution to ensure accurate information in this catalogue, but accept no liability for any errors or omissions. Firstflex reserves the right to modify specifications at any time.